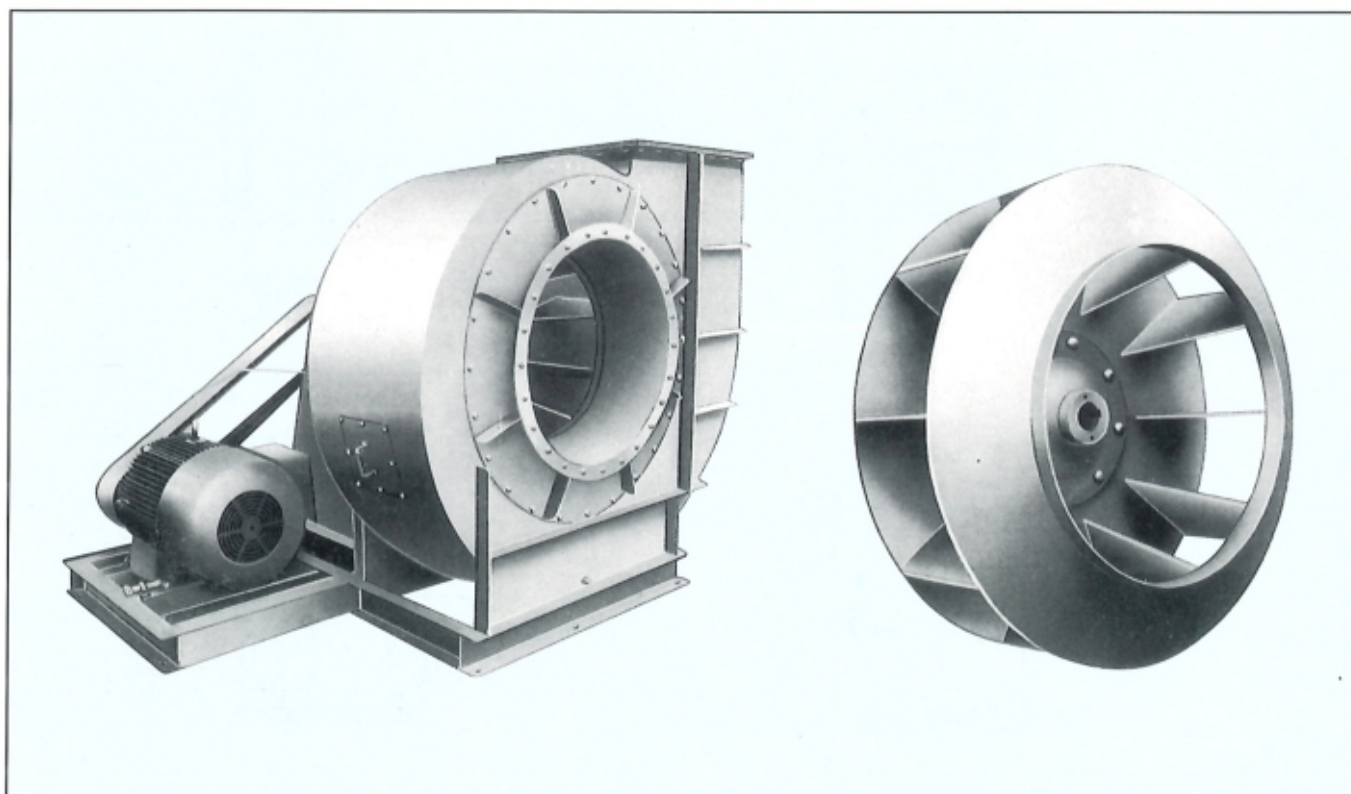


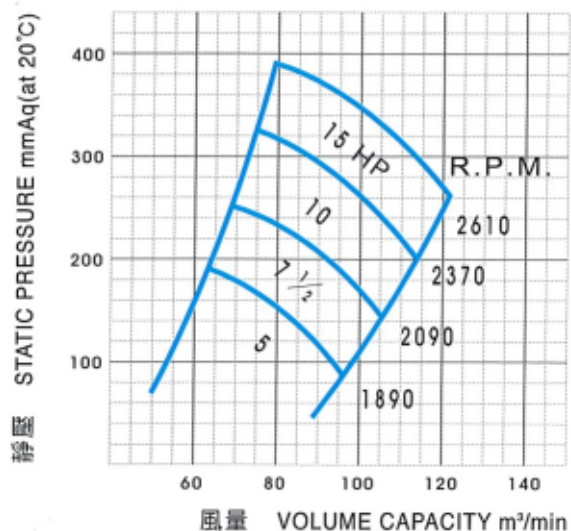
本機葉輪葉片為直翼扇形，葉輪堅固且粉塵不易附著於葉片，可耐高含塵和高腐蝕之磨損，最適合木業加工、石粉、金屬研磨、紙屑、木屑、化工原料、纖維等集塵輸送。

The fan blades are plate shaped and robustly constructed against wear from powder dust and corrosion.

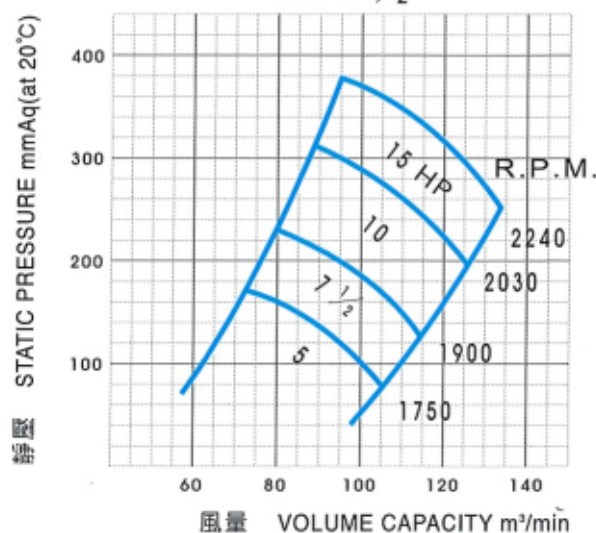
Suitable for collection and transfer of dust and powdery intensive industries, such as, processing of timber, stone, marble, granite, metal, paper, wood, chemical fibres, etc.



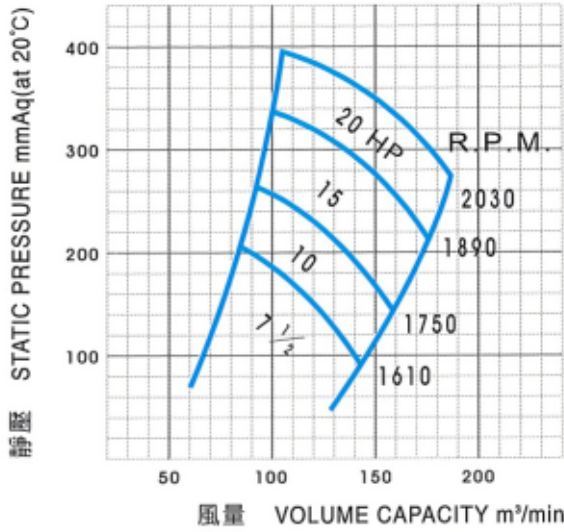
No-3



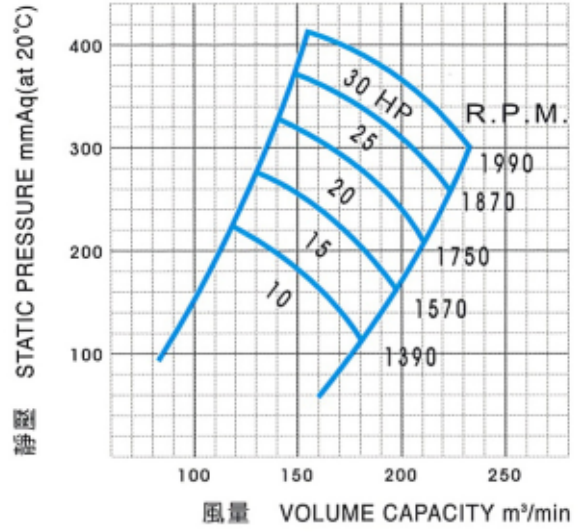
No-3 1/2



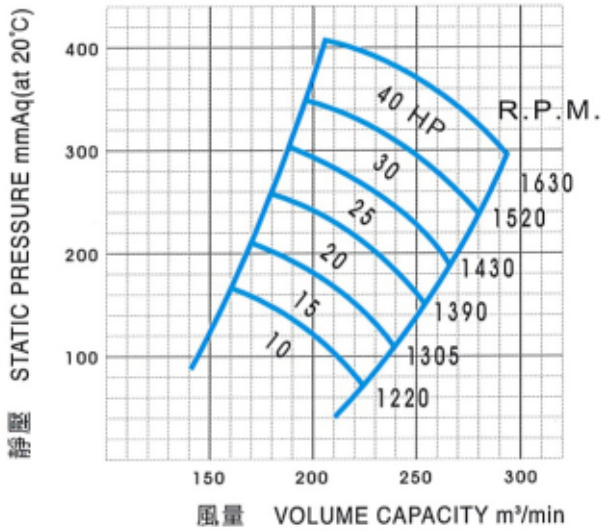
No-4



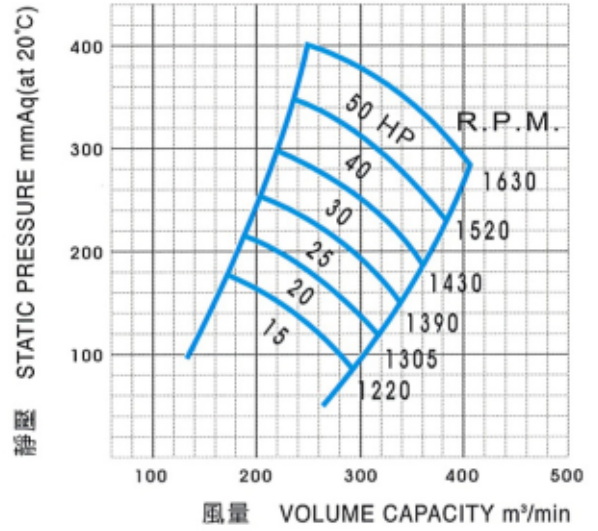
No-4 1/2



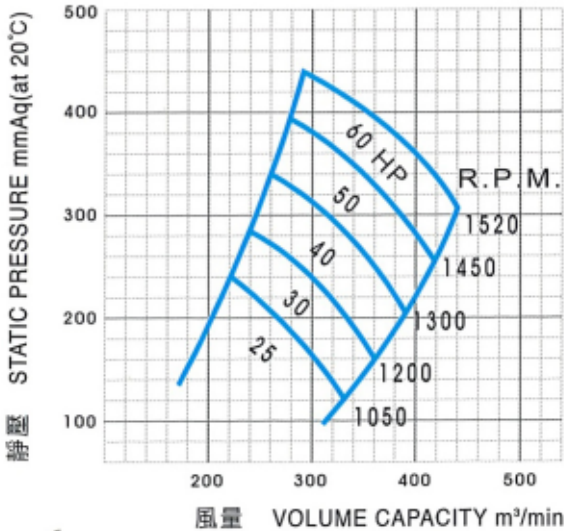
No-5



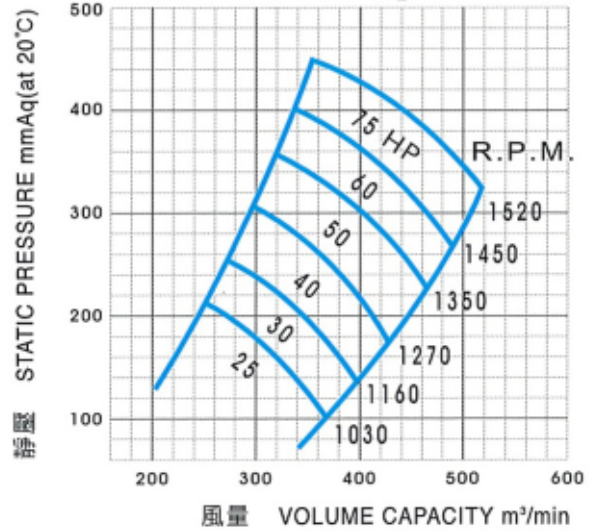
No-5 1/2



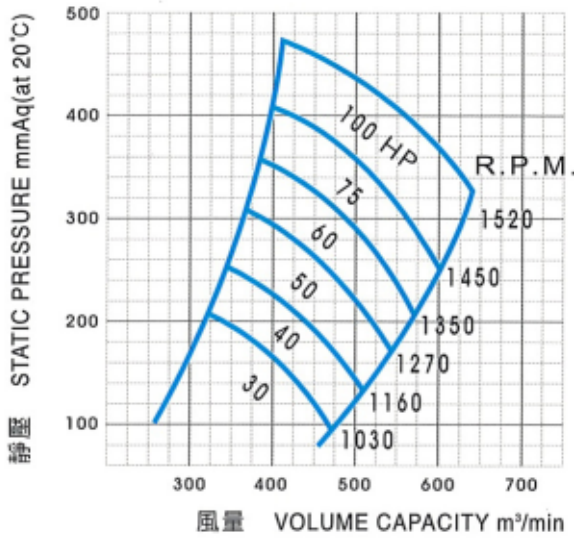
No-6



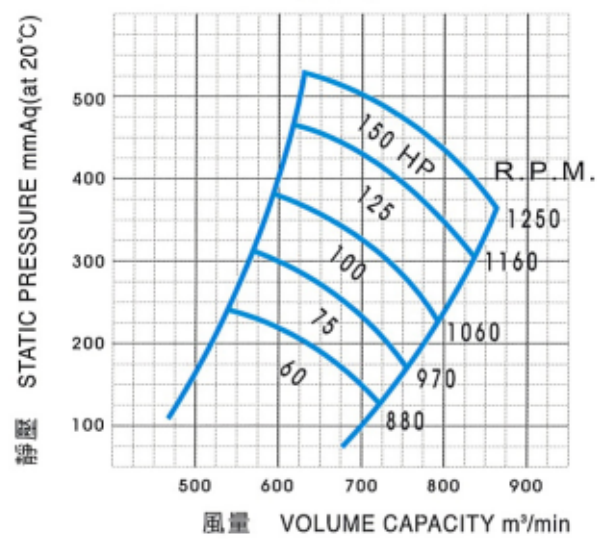
No-6 1/2



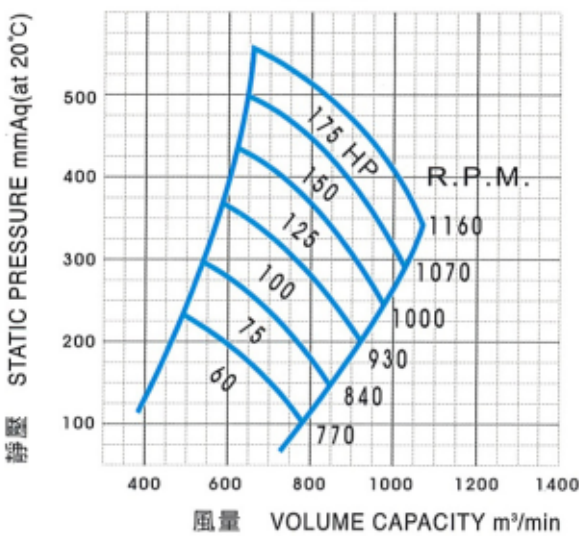
No-7



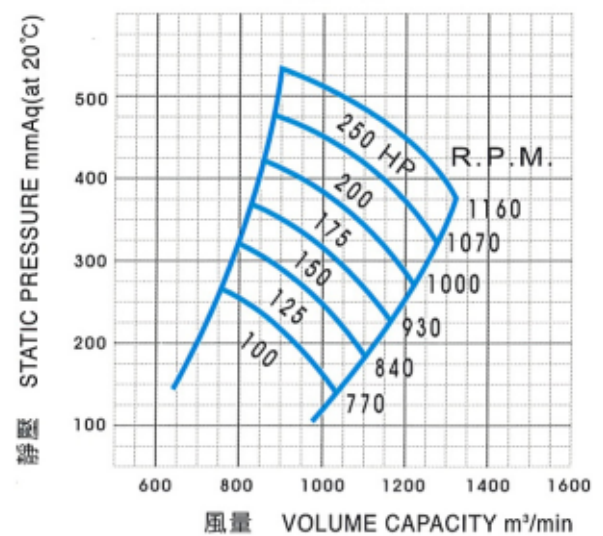
No-8



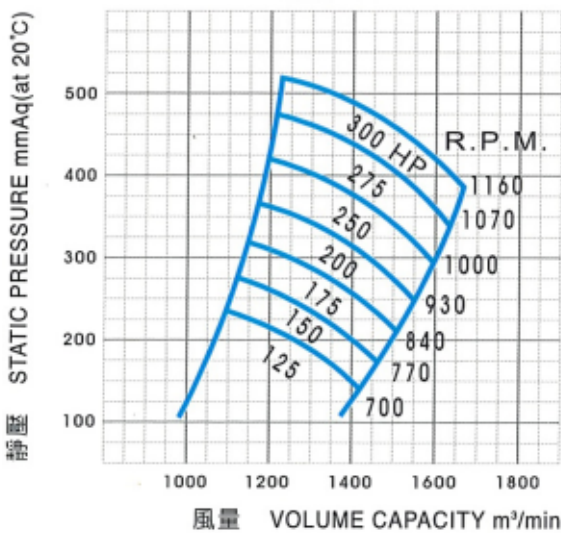
No-9



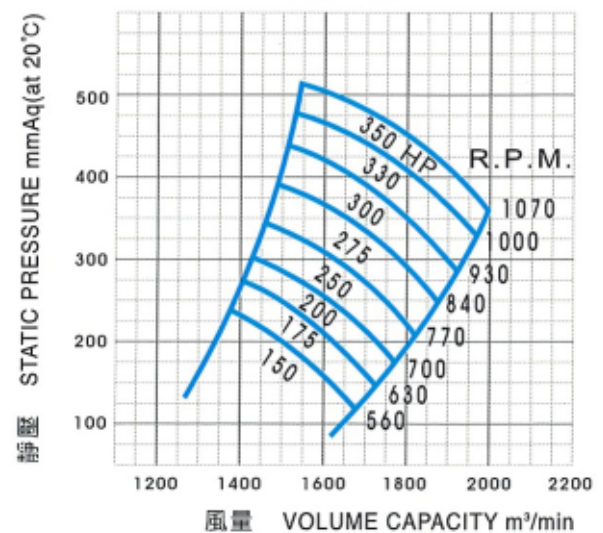
No-10

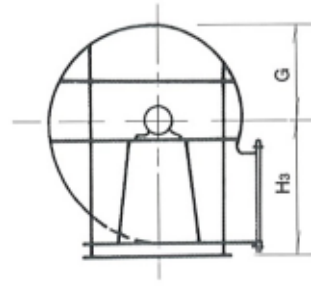
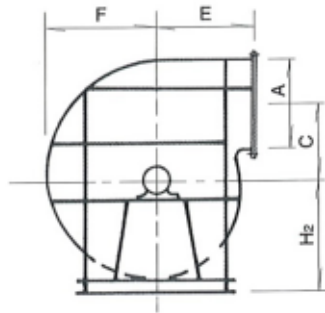
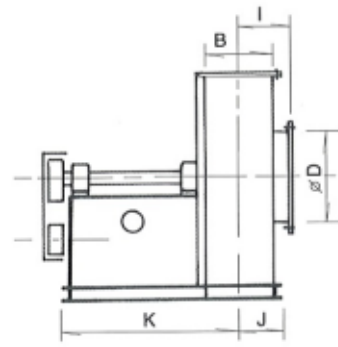
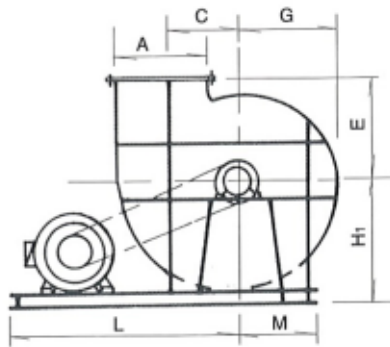
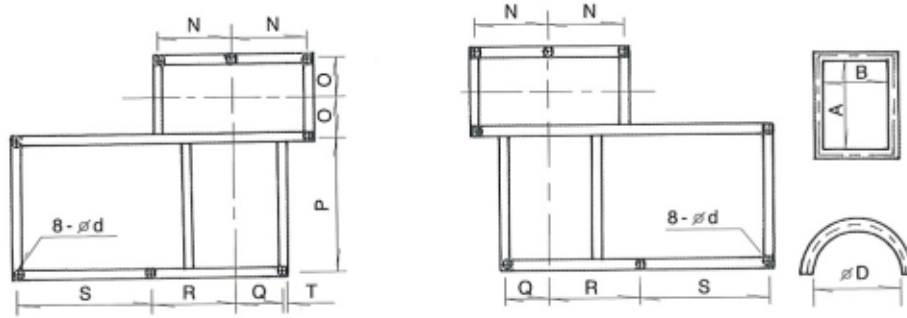


No-11



No-12





尺寸表 Dimensions

單位UNIT:mm

記號	A	B	C	φD	E	F	G	H ₁	H ₂	H ₃	I	J	K	L	M	N	O	P	Q	R	S	T	φd
3	300	250	280	300	330	360	310	400	350	475	175	165	565	660	260	244	149	400	149	248	396	16	12
3½	300	250	330	300	350	430	370	480	420	540	175	175	575	710	310	288	153	400	178	255	433	22	15
4	350	300	375	350	420	485	430	535	480	610	200	200	670	800	350	328	178	470	218	280	498	22	15
4½	400	350	430	400	450	550	480	615	545	705	235	240	760	895	390	365	210	520	245	310	555	30	19
5	450	400	475	450	510	610	530	675	595	775	260	260	865	975	445	415	235	600	260	343	602	30	19
5½	550	450	525	500	550	680	590	755	665	885	290	300	930	1045	495	460	265	630	300	355	655	30	19
6	600	500	570	550	630	760	660	865	760	980	320	300	1000	1110	510	488	278	700	308	390	698	22	19
6½	650	500	625	600	650	835	720	960	845	1085	320	313	1033	1193	543	515	285	720	335	415	750	28	22
7	700	550	630	650	700	870	765	995	890	1125	345	338	1138	1243	593	565	310	800	335	440	775	28	22
8	850	700	725	850	770	1005	865	1155	1015	1320	430	425	1375	1435	685	650	390	950	390	505	895	35	22
9	950	800	825	950	870	1120	960	1320	1160	1525	500	475	1575	1555	755	720	440	1100	465	528	992	35	24
10	1100	900	900	1100	1060	1250	1150	1470	1370	1680	570	540	1790	1700	850	810	500	1250	525	568	1092	40	24
11	1250	1000	1025	1250	1100	1400	1170	1620	1390	1880	620	590	2000	1830	930	890	550	1500	550	620	1170	40	24
12	1450	1150	1125	1450	1190	1550	1290	1770	1510	2080	710	665	2315	2205	1005	965	625	1650	600	783	1382	40	24