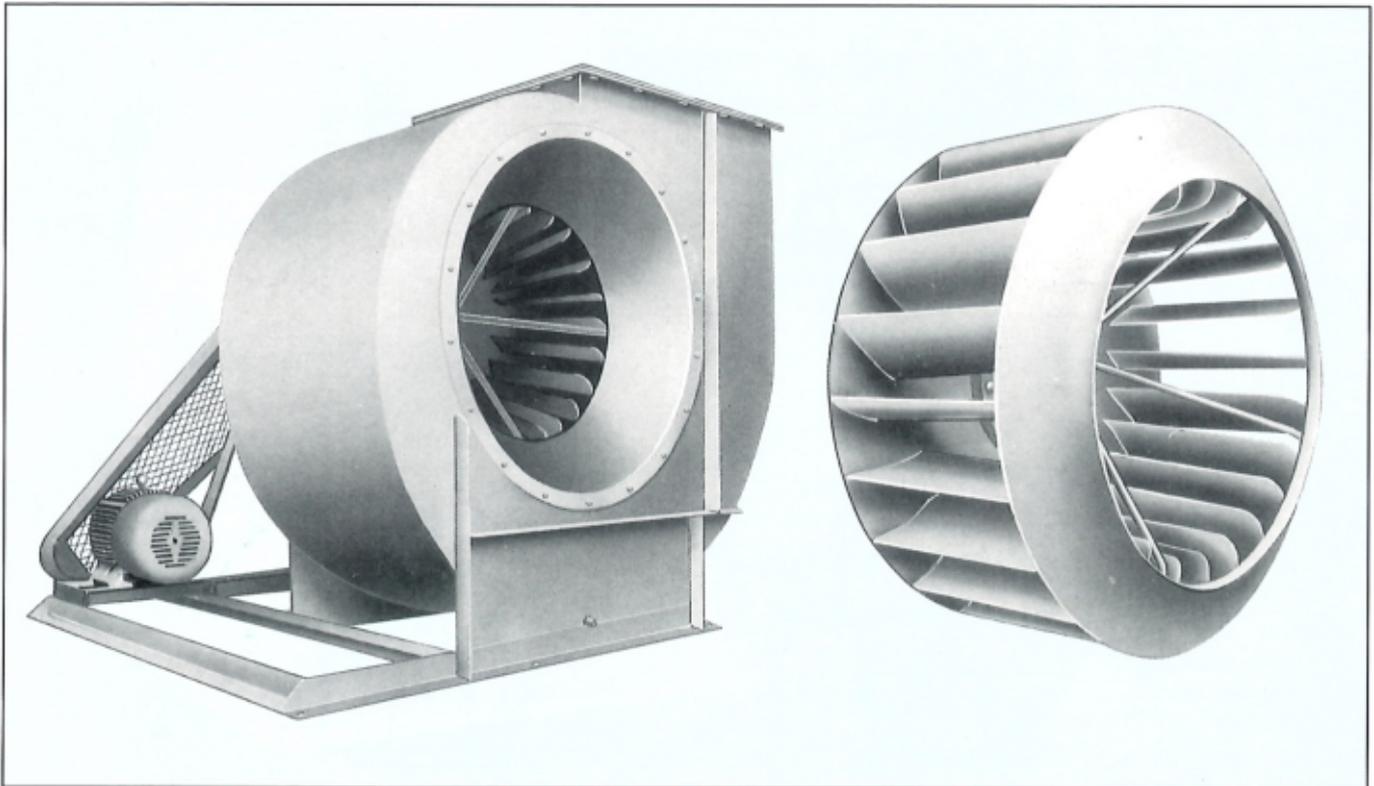


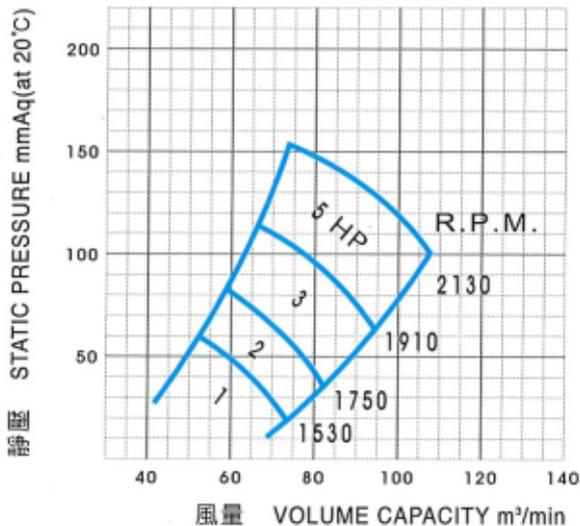
本機型葉輪之葉片呈S型，馬力輸出穩定，不受風壓和風量之變化影響，是一種限定荷重風機，高風量低噪音風機，適用於一般換氣，窯業循環風扇，墜道，排煙及對油煙之排除最為適宜。

The fan blades are "S" shaped which can achieve high volume of air flow ventilation with very low noise level. The required horsepower is virtually constant and independent of air pressure and velocity.

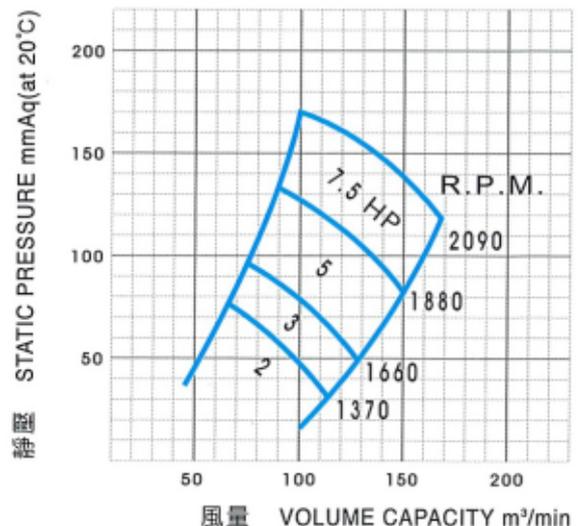
Suitable for general ventilations, air circulations, smoke and exhaust purposes and under ground tunnels. It is also suitable for oily and smoky exhaust systems.



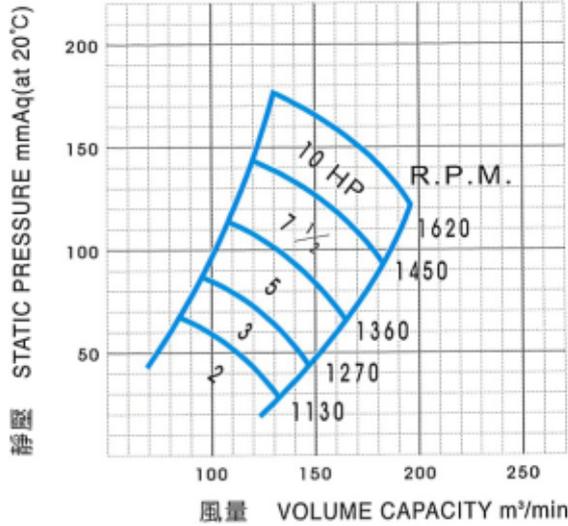
No-2 1/2



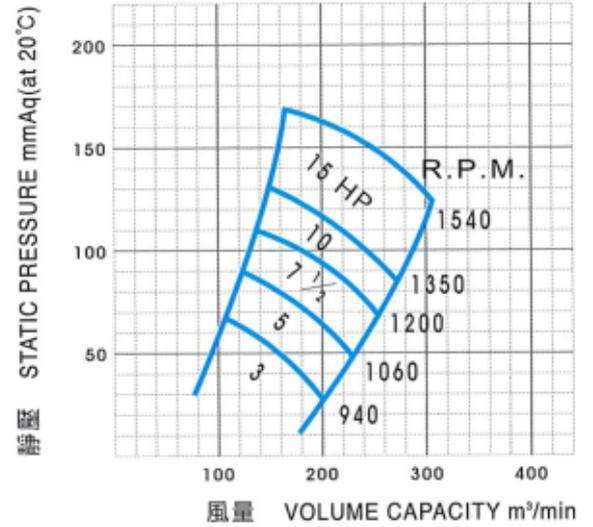
No-3



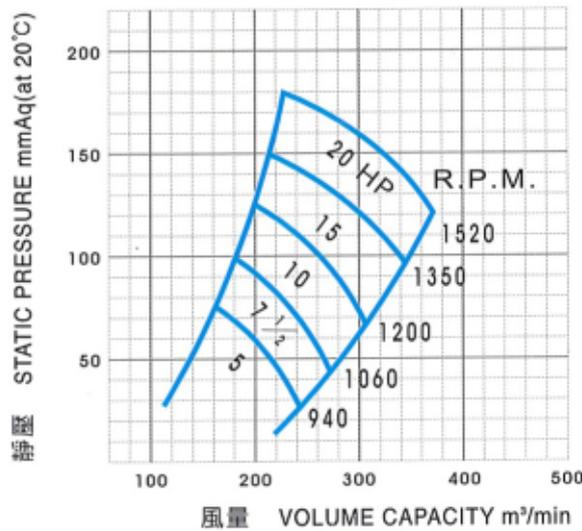
No-3 1/2



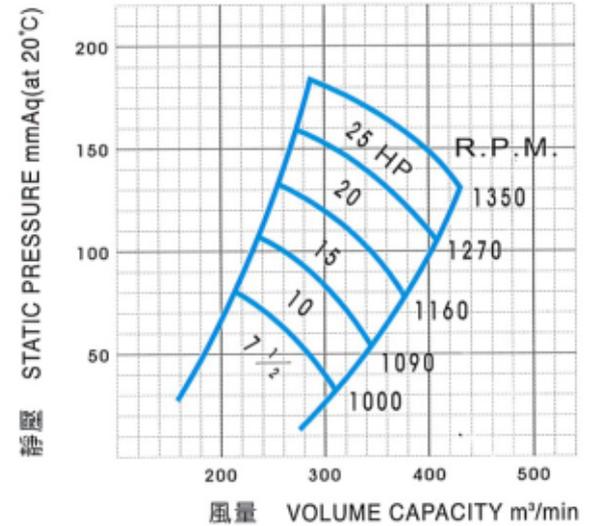
No-4



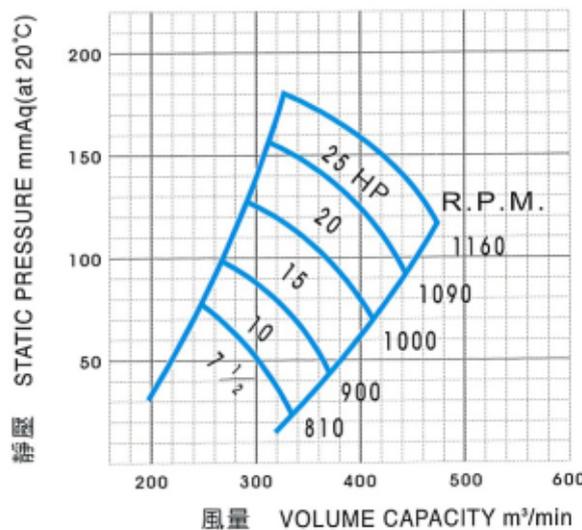
No-4 1/2



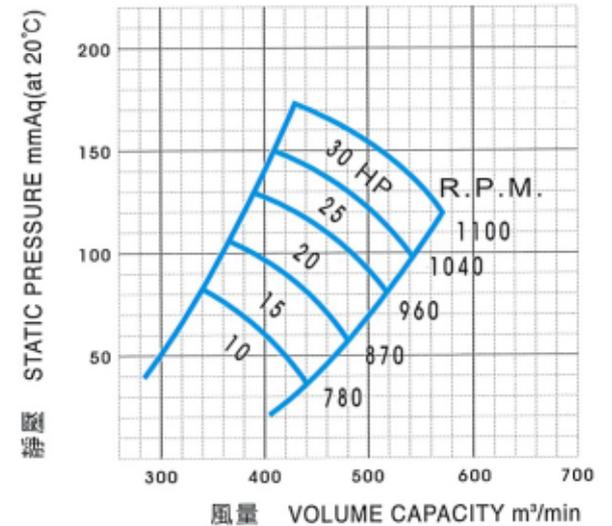
No-5



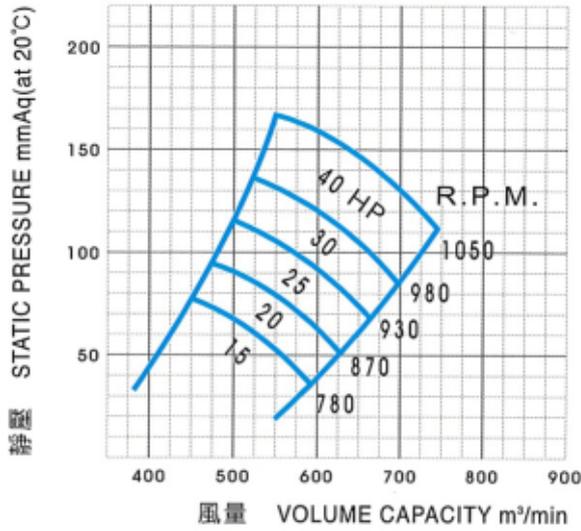
No-5 1/2



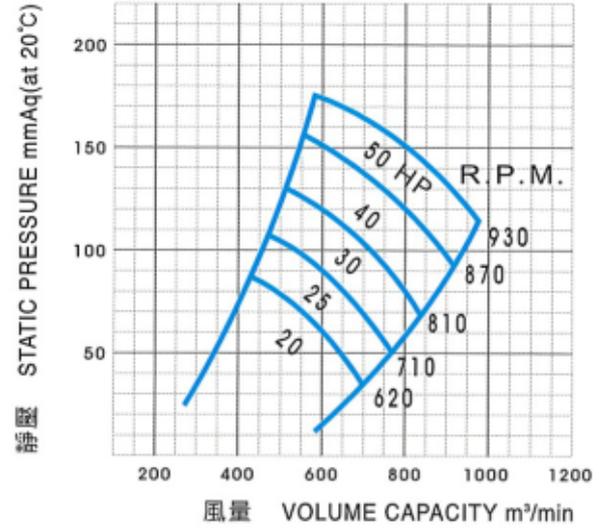
No-6



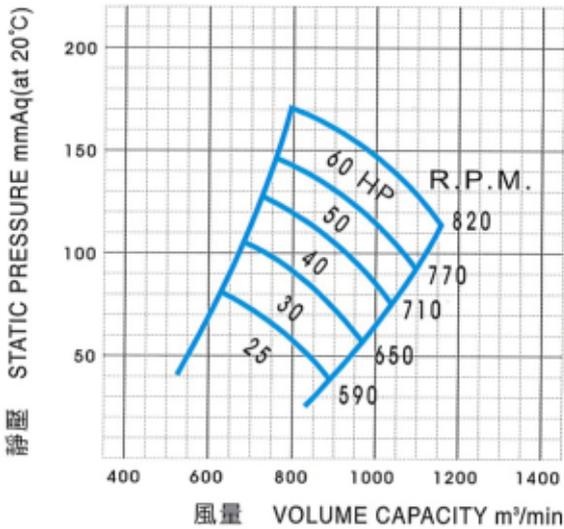
No-7



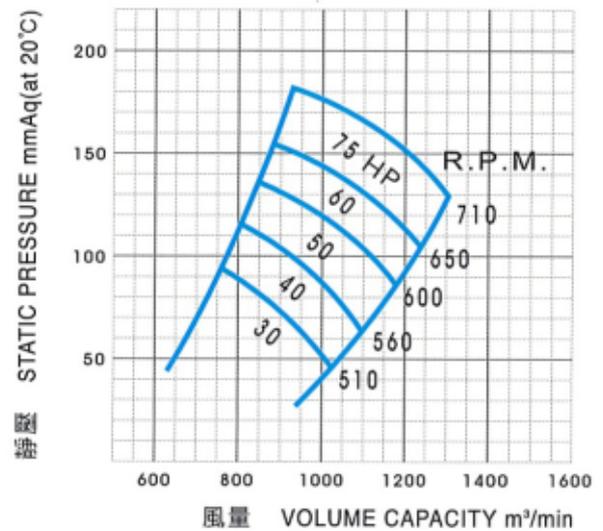
No-8



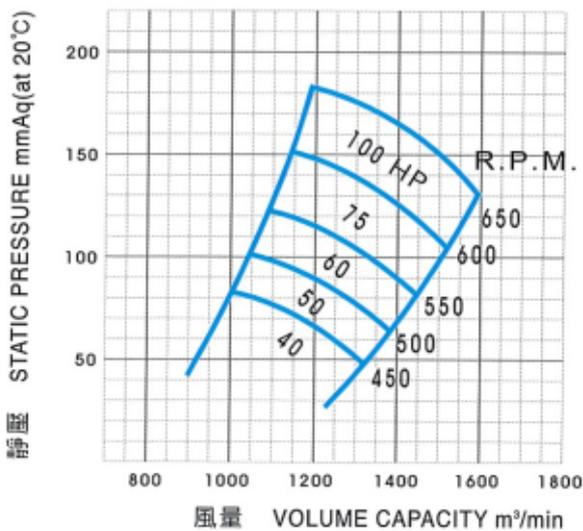
No-9



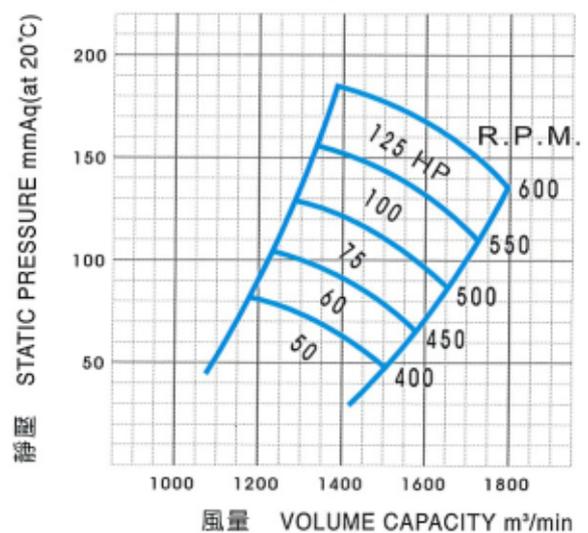
No-10

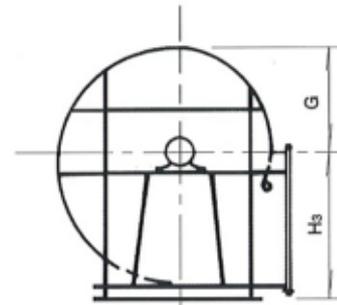
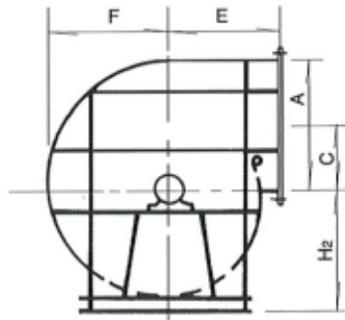
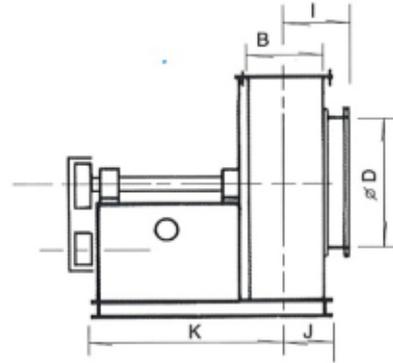
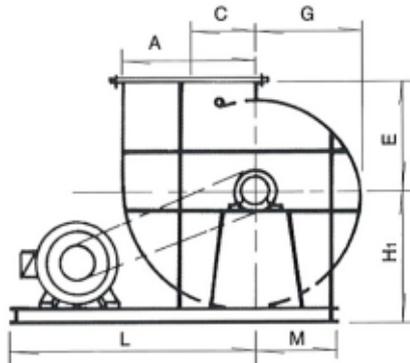
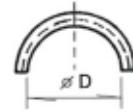
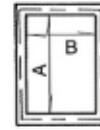
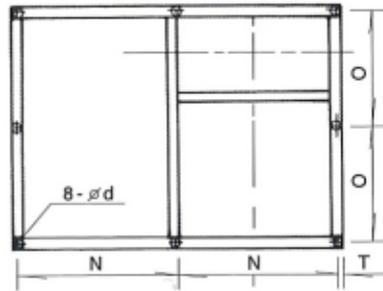


No-11



No-12





尺寸表 Dimensions

單位UNIT:mm

型號 編號	A	B	C	φD	E	F	G	H ₁	H ₂	H ₃	I	J	K	L	M	N	O	T	φd
2½	380	300	190	380	280	330	280	370	320	430	190	190	490	530	230	364	324	16	12
3	450	350	225	460	350	410	345	450	385	500	225	215	595	620	270	429	389	16	12
3½	500	400	250	530	390	440	375	490	425	550	250	250	650	660	310	463	428	22	15
4	580	450	290	610	430	520	450	570	500	650	275	275	725	750	350	528	478	22	15
4½	660	500	330	690	470	595	495	645	545	710	310	300	800	820	390	583	528	22	15
5	740	550	370	760	540	670	570	735	635	810	340	340	940	925	445	655	610	30	19
5½	830	600	415	840	570	745	630	810	695	910	380	365	1015	965	485	695	660	30	19
6	910	650	455	920	610	810	695	875	760	990	405	390	1040	1005	525	735	685	30	19
7	1050	800	525	1070	730	950	790	1025	865	1150	500	475	1275	1105	605	820	840	35	19
8	1170	900	585	1220	790	980	830	1110	955	1320	550	513	1413	1273	673	946	936	28	22
9	1370	950	685	1370	960	1195	1030	1345	1180	1470	575	550	1650	1455	755	1070	1065	35	22
10	1500	1050	750	1500	1050	1330	1145	1530	1345	1660	645	600	1800	1635	835	1200	1165	35	24
11	1700	1150	850	1700	1150	1450	1230	1650	1430	1920	705	665	2015	1830	910	1330	1300	40	24
12	1900	1250	950	1900	1250	1600	370	1800	1570	2120	760	715	2215	1990	990	1450	1425	40	24