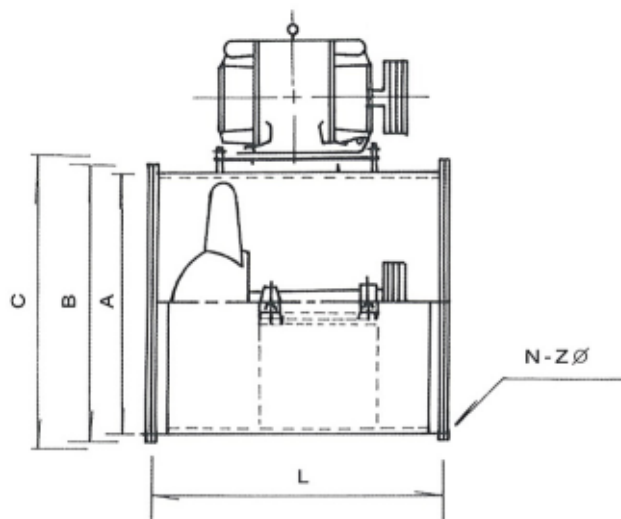
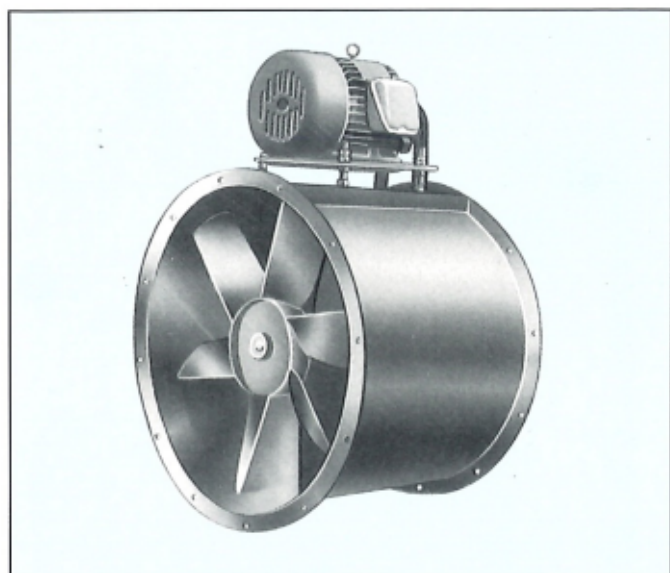


本機型為皮帶驅動式，以最少之馬力達到最佳之效果，風量特大配合密閉式軸承保養簡便，適用於一般低風壓高風量之場所。

The fan is belt driven by a small motor. It is well constructed and fitted with sealed bearings for easy maintenance and reliable service. It is highly efficient for static pressure and great volume in ventilation applications.



選擇及能量 Selections & Ratings

型 式 TYPE	電 動 機		風 量 m ³ /min	靜 壓 mmAq	尺 寸 (Dimensions)mm				
	HP	RPM			A	B	C	L	N-Z φ
AFB-20	1/2	1400	60	10	520	550	580	450	14-10
	1	1600	100	15	520	550	580	450	14-10
AFB-22	1	1670	120	15	570	600	630	500	14-11
	2	2100	140	25	570	600	630	500	14-11
AFB-24	1	1390	130	12	625	655	685	550	16-11
	2	1750	170	20	625	655	685	550	16-11
	3	1970	200	25	625	655	685	550	16-11
AFB-32	2	1060	240	15	830	880	930	700	18-15
	3	1210	280	20	830	880	930	700	18-15
	5	1450	320	30	830	880	930	700	18-15
AFB-36	3	960	350	15	935	985	1035	800	18-15
	5	1200	400	25	935	985	1035	800	18-15
	7 1/2	1400	450	30	935	985	1035	800	18-15
AFB-40	5	910	500	20	1035	1085	1135	900	20-15
	7 1/2	1200	550	25	1035	1085	1135	900	20-15
AFB-48	5	760	560	15	1240	1305	1370	1000	24-17
	7 1/2	870	650	20	1240	1305	1370	1000	24-17
	10	960	730	25	1240	1305	1370	1000	24-17
AFB-56	7 1/2	620	900	15	1445	1510	1575	1100	28-17
	10	710	1000	20	1445	1510	1575	1100	28-17
	15	810	1200	25	1445	1510	1575	1100	28-17
	20	900	1350	30	1445	1510	1575	1100	28-17